

## Grounding Indicators & Pulling Elbows

<b>CEPGI Series Ground Indicator</b> .....	120
Wiring Diagram & Dimensional Data .....	121
<b>Big-Bend™ Cast Pulling Elbow</b> .....	122
Selection Table .....	123
Dimensions.....	123

## CEPGI Series Ground Indicator: Explosionproof, Dust-Ignitionproof

Class I, Div. 1 & 2 Groups Bf, Ct, D  
Class II, Div. 1 & 2 Groups E, F, G  
Class III NEMA 4, 7, 9

### Application

- The grounding device is used to logically indicate the presence of grounding of tank cars or tank trucks before and during transfer of combustible materials. When connected to a truck prior to loading or unloading, the presence of a safe ground is indicated by a green light and the absence of ground is indicated by a red light. Interlocking circuitry will prevent pumps from starting until a ground is established or shut pumps down if a ground is lost at any time during loading or unloading. This intrinsically safe circuit and explosionproof enclosure enables the ground device to be used in hazardous location areas.

### Features

- Clamp and Cable - The coiled cable provided: 2 conductor #14 SO terminated with an alligator ground clamp.
- Power requirements - 115/240VAC.
- Control contacts - 250VAC - 10 amp continuous.
- Indicators - one green light for "Satisfactory Ground", one red light for "No Ground".
- Compact design.
- Hinges supplied.
- External ground lug and internal ground lug supplied; accommodate #14 through #2 AWG.

### Standard Materials

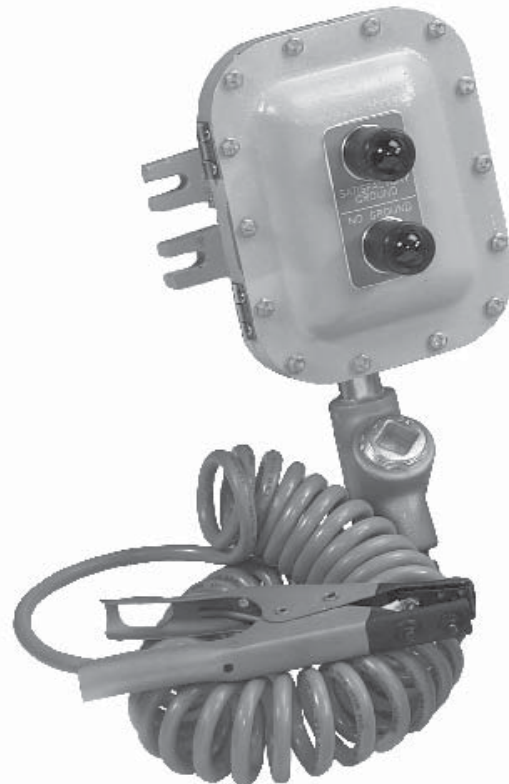
- Enclosure: Copper-free aluminum.

### Standard Finishes

- Epoxy powder coat on enclosure.

### Compliances

- UL Listed Standard 1203 and 1604.
- CSA Certified.



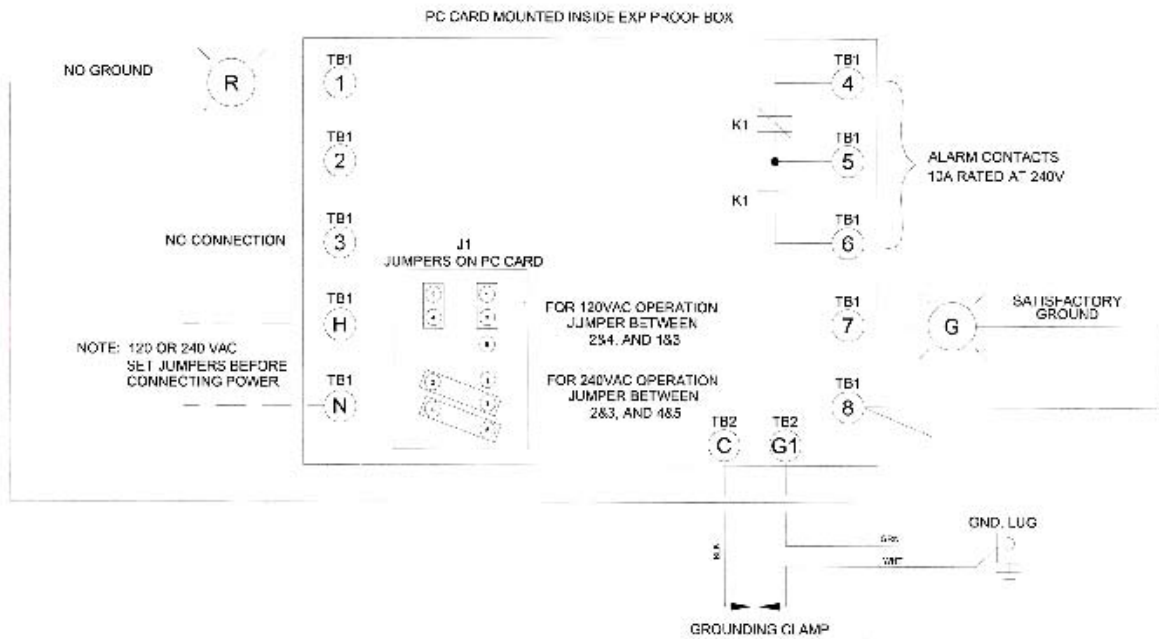
### Selection Table

Catalog Number	Coiled Cable Length	Conduit Entries
<b>CEPGI</b>	25 feet	¾" NPT
<b>CEPGI-50</b>	50 feet	¾" NPT

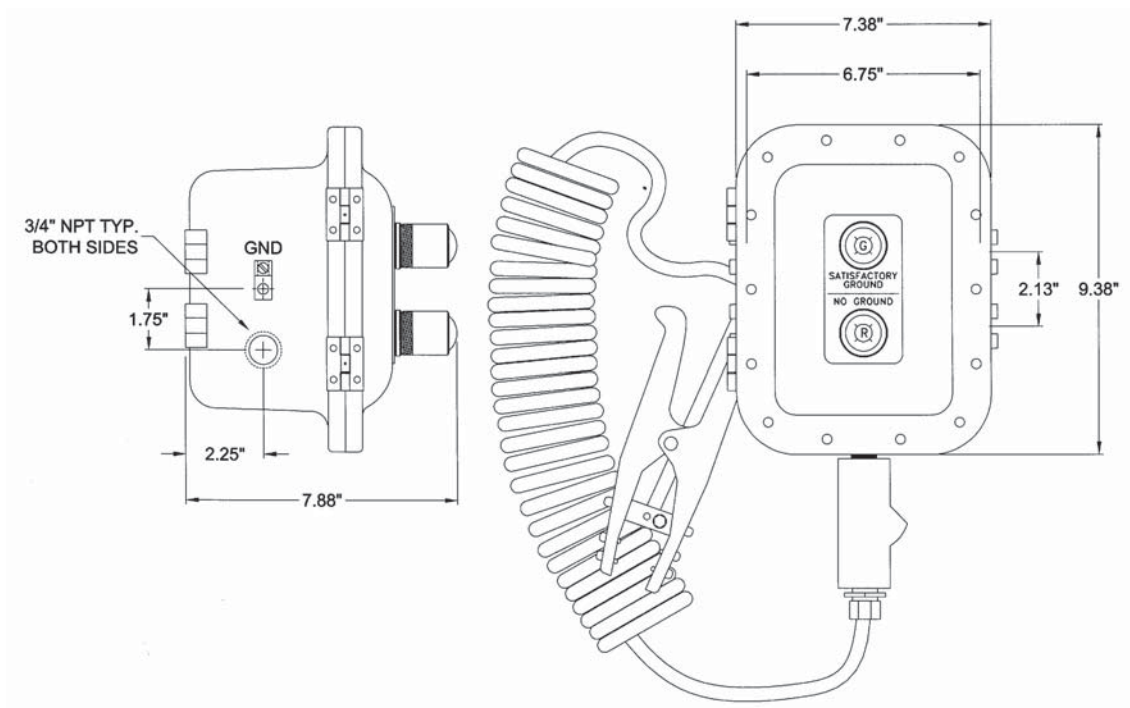
CEPGI Series Ground Indicator:  
Explosionproof, Dust-Ignitionproof

Class I, Div. 1 & 2 Groups B<sub>I</sub>, C<sub>I</sub>, D  
Class II, Div. 1 & 2 Groups E, F, G  
Class III NEMA 4, 7, 9

## Wiring Diagram



## Dimensional Data



## Big-Bend™ Cast Pulling Elbow

For use with Threaded Rigid Metal Conduit and IMC

### Application

- Big-Bend™ Pulling Elbow is installed in conduit systems to provide 90° bends in conduit runs, pull outlets for conductors, access to conductors for maintenance and openings for making splices.

### Features

- Cast from copper-free aluminum.
- Composition gasket in cover.
- Stainless steel cover bolts.
- Plugged 1/2" outlets top and bottom for breather and drain.
- Available in cast iron.
- Allows bending radius of 8 to 12 times outside diameter of conductor.
- Conductors can be pulled straight through.
- Cover easily installed.

### Standard Materials

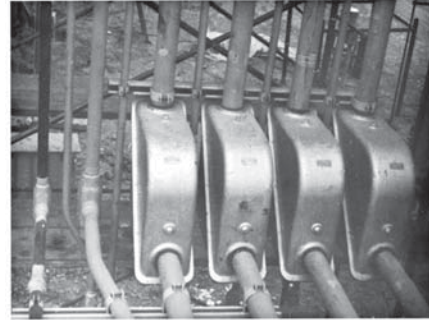
- Bodies and covers: copper-free aluminum.
- Gaskets: composition.
- Cover bolts: stainless steel.

### Standard Finishes

- Acrylic paint.

### Compliances

- Certification Standard C22.2 No. 18-M1987 NEMA 4.
- UL Standard 514A.

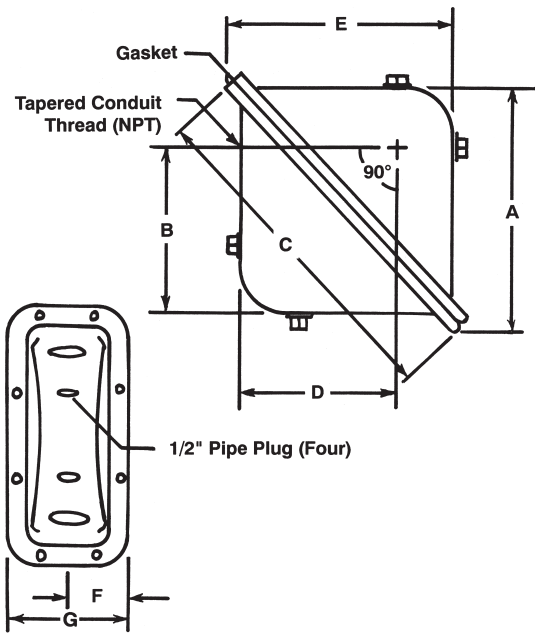
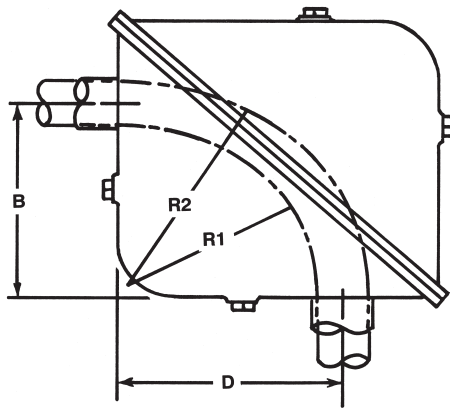


*Conduit Systems Installations*



## Big-Bend™ Cast Pulling Elbow

For use with Threaded Rigid Metal Conduit and IMC



### Bending Radii of Big-Bend™ Pulling Elbow

Catalog Number	Conduit Size (in)	R1 (in/cm)	R2 (in/cm)
BB1-050	1/2	8.187 (20.79)	8.812 (22.38)
BB1-075	3/4	8.062 (20.48)	8.875 (22.54)
BB1-100	1	7.875 (20.00)	8.937 (22.70)
BB1-125	1-1/4	7.812 (19.84)	9.250 (23.50)
BB1-150	1-1/2	7.687 (19.52)	9.312 (23.65)
BB1-200	2	7.437 (18.89)	9.500 (24.13)
BB1-250	2-1/2	7.250 (18.42)	9.687 (24.60)
BB1-300	3	6.875 (17.46)	9.937 (25.24)
BB1-350	3-1/2	6.687 (16.99)	10.000 (25.40)
BB1-400	4	6.437 (16.35)	10.500 (26.67)
BB2-050	1/2	13.062 (33.18)	13.687 (34.76)
BB2-075	3/4	12.937 (32.86)	13.750 (34.93)
BB2-100	1	12.750 (32.39)	13.812 (35.08)
BB2-125	1-1/4	12.687 (32.22)	14.125 (35.88)
BB2-150	1-1/2	12.562 (31.91)	14.187 (36.03)
BB2-200	2	12.312 (31.27)	14.375 (36.51)
BB2-250	2-1/2	12.125 (30.80)	14.562 (36.99)
BB2-300	3	11.750 (29.85)	14.812 (37.62)
BB2-350	3-1/2	11.562 (29.37)	15.125 (38.42)
BB2-400	4	11.312 (28.73)	15.375 (39.05)
BB3-050	1/2	13.062 (33.18)	13.687 (34.76)
BB3-075	3/4	12.937 (32.86)	13.750 (34.93)
BB3-100	1	12.750 (32.39)	13.812 (35.08)
BB3-125	1-1/4	12.687 (32.22)	14.125 (35.88)
BB3-150	1-1/2	12.562 (31.91)	14.187 (36.03)
BB3-200	2	12.312 (31.27)	14.375 (36.51)
BB3-250	2-1/2	12.125 (30.80)	14.562 (36.99)
BB3-300	3	11.750 (29.85)	14.812 (37.62)
BB3-350	3-1/2	11.562 (29.37)	15.125 (38.42)
BB3-400	4	11.312 (28.73)	15.375 (39.05)
BB3-500	5	10.812 (27.46)	15.812 (40.16)
BB3-600	6	10.312 (26.19)	16.375 (41.59)

### Dimensions in inches (cm)

Size	BB1	BB2	BB3
Inside Dimensions	12" x 12" x 6"	18" x 18" x 6"	18" x 18" x 8"
Approx. Shp. Wt/Unit	18 lbs	32 lbs	48 lbs

	BB1	BB2	BB3
A	12-3/4 (32.39)	19-7/8 (50.48)	19-7/8 (50.48)
B	9 (24.48)	14 (38.10)	14 (35.56)
C	18-3/4 (47.63)	27-1/4 (69.22)	27-1/2 (69.85)
D	9 (24.48)	14 (38.10)	14 (35.56)
E	12-3/4 (34.93)	19-7/8 (50.48)	19-7/8 (50.48)
F	3-7/8 (9.84)	3-7/8 (9.84)	5 (12.70)
G	7-3/4 (19.69)	7-3/4 (19.69)	10 (25.40)

Conduit Size (inches)	Code	Conduit Size (inches)	Code
1/2	050	2-1/2	250
3/4	075	3	300
1	100	3-1/2	350
1-1/4	125	4	400
1-1/2	150	5*	500
2	200	6*	600

\* Available in Big-Bend™ Size 3 only.